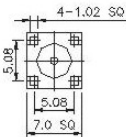


SMC



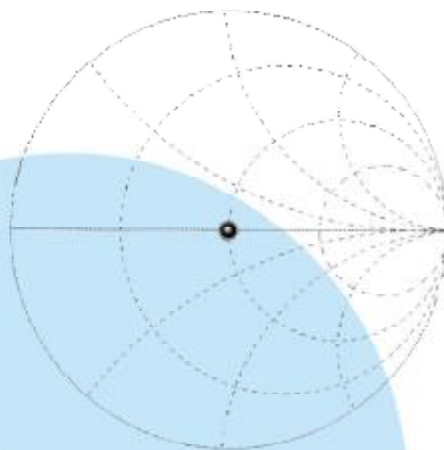
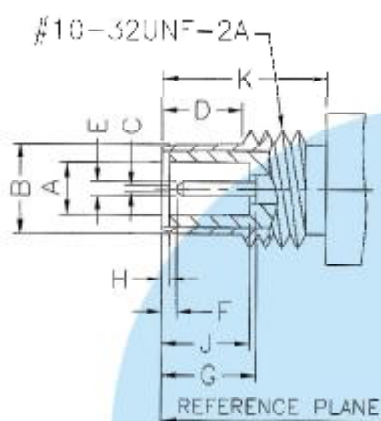
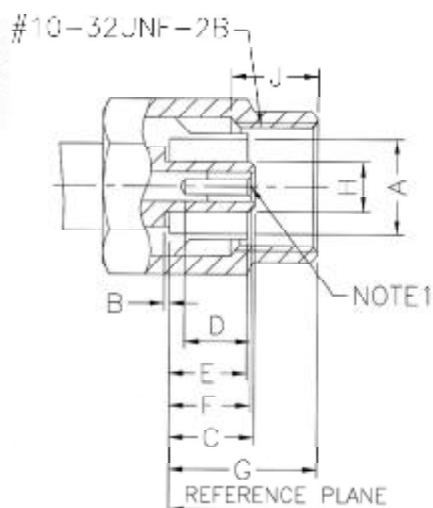
4-1.02 SQ

SMB/SMC Series

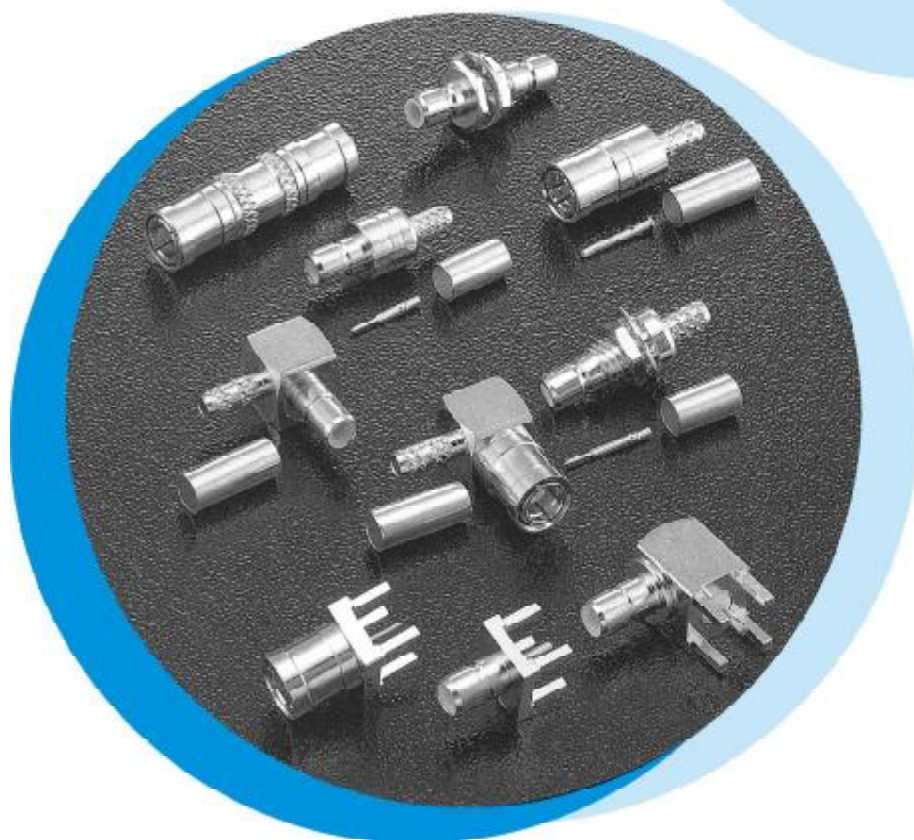
Songtech

SMB/SMC

INTERFACE MATING DIMENSIONS (SMC)



NOTE 1: I.D. TO MEET VSWR AND CONTACT RESISTANCE WHEN MATED WITH 0.48/0.53 MM DIA. PIN.



PLUG		
Letter	Millimeters	
	Minimum	Maximum
A	3.73	3.81
B	0.00	0.30
C	3.15	3.40
D	2.79	-
E	-	3.10
F	3.05	3.40
G	-	5.92
H	2.00	2.06
J	2.79	-

JACK		
Letter	Millimeters	
	Minimum	Maximum
A	2.08	2.16
B	3.63	3.71
C	-	0.25
D	3.12	3.83
E	0.48	0.53
F	0.61	-
G	3.40	3.76
H	0.00	0.30
J	3.40	3.66
K	5.94	-

Specifications

Electrical		
SMB		
Impedance	50 ohm	
Frequency Range	0 - 4 GHz	
Working Voltage	RG-178:250 VRMS max. RG-316,.085" :335 VRMS max.	
Dielectric Withstanding Voltage	RG-178:750 VRMS min. RG-316,.085" :1000 VRMS min.	
VSWR	Straight	1.3 Max.
	Right Angle	1.5 Max.
Contact Resistance	Center Contact	6 Milliohms Max.
	Outer Contact	2.5 Milliohms Max.
Insulator Resistance	1000 Megohms min.	

Electrical		
SMC		
Impedance	50 ohm	
Frequency Range	0 - 10 GHz	
Working Voltage	RG-178:250 VRMS max. RG-316,.085" :335 VRMS max.	
Dielectric Withstanding Voltage	RG-178:750 VRMS min. RG-316,.085" :1000 VRMS min.	
VSWR	Straight	1.3 max.
	Right Angle	1.5 max.
Contact Resistance	Center Contact	6 Milliohms Max.
	Outer Contact	2.5 Milliohms Max.
Insulator Resistance	1000 Megohms min.	

Material		
Parts Name	Material	Finish
Body, Metal Parts	Brass per QQ-B-626	Nickel or Gold per requirement
Center Contacts	Plug: Brass per QQ-B-626	Gold
	Jack: Beryllium copper per QQ-B-530	Gold
Insulators	Teflon	None
Crimp Ferrules	Annealed copper	Nickel or Gold per requirement
Clamp Gaskets	Silicone rubber	None

NOTE: Other Material/Finish is Available on Request.

Mechanical & Environmental		
	SMB	SMC
Engagement Force	8 lbs. max.	16 in-ozs. max.
Disengagement Force	8 lbs. min.	16 in-ozs. max.
Coupling Nut Retention	Not applicable	35 lbs. min.
Coupling Proof Torque	Not applicable	100 in-ozs.
Contact Retention	4 lbs. min.	4 lbs. min.
Durability (Mating)	500 cycles min. (for Beryllium copper Jack contact only)	500 cycles min. (for Beryllium copper Jack contact only)
Temperature Range	-65° C to 165° C	
Vibration	MIL-STD-202 Method 204 Test Cond.B.	
Salt Spray	MIL-STD-202 Method 101 Test Cond.B.	
Thermal Shock	MIL-STD-202 Method 107 Test Cond.B.	