

FEATURES

Over-Voltage Protective Installation
 Short Circuit Protective Installation
 Protection Type: Auto-Recovery
 Standard Car Plug

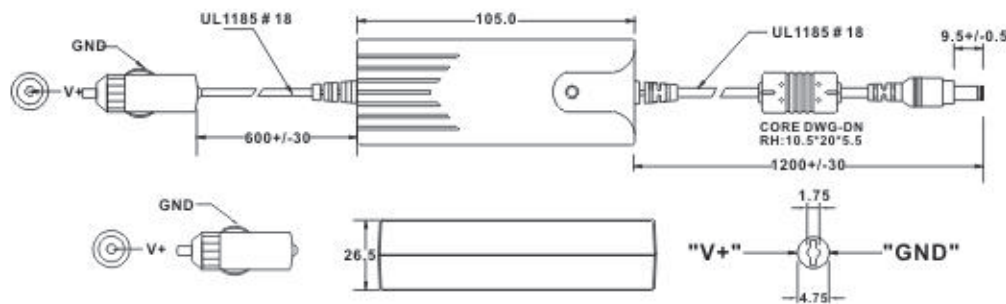


SPECIFICATIONS

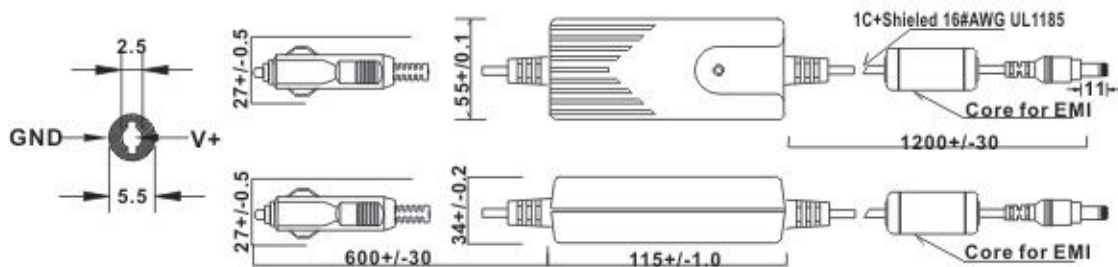
Model Item	ED1025	ED1075	ED1010	ED1150
Output Voltage	5~10V	16~24V	15~24V	15~24V
Output Current	5A Max or 30W Max	4.5A Max. or 72W Max.	7a Max. or 120W Max.	10A Max. or 150W Max.
Input Voltage	DC11~16V	DC11~16V	DC11~16V	DC11~16V
Input Current	5A Max.	6.5A Max.	12A Max.	12A Max.
Line Regulation	2% Max.	2% Max.	0.5% Max.	0.5% Max.
Load Regulation	±5%	±5%	±5%	±5%
Ripple & Noise	1.5% Typical	1.5% Typical	300mV Max.	300mV Max.
Efficiency	80% Typical	85% Typical	88% Typical	88% Typical
Temperature Coefficient	0.05%/°C	0.05%/°C	0.05%/°C	0.05%/°C
Over-Voltage Protection	7~12V Max.	22~32V Max.	28V Max.	28V Max.
Operating Temperature	0~40°C	0~40°C	0~40°C	0~40°C
Storage Temperature	-20~85°C	-20~85°C	-20~85°C	-20~85°C
Safety Description	CE	CE	CE, e1	CE

Mechanical Drawing

ED1025



ED1010



ED1150

