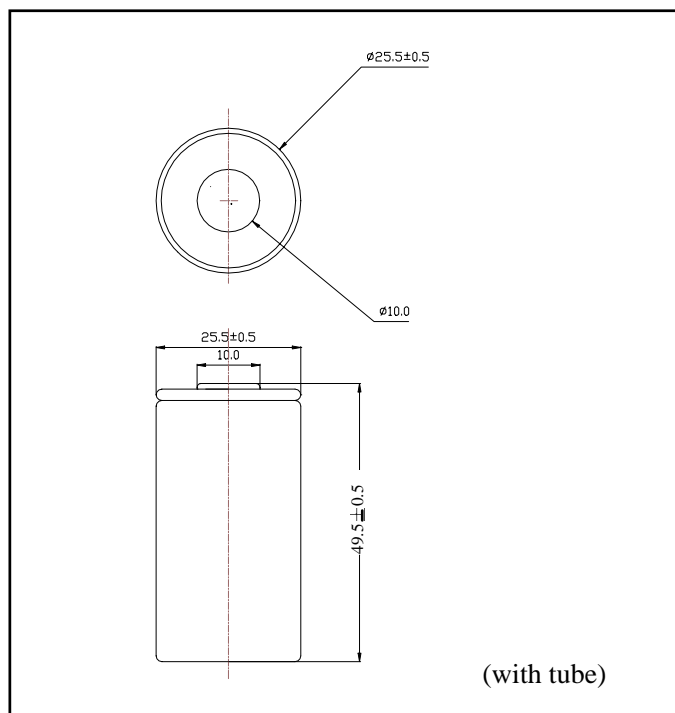


Specifications

Nominal voltage		1.2V	
Capacity (mAh)		0.2C	1C
	Nominal	3000	2700
	Typical	3150	3000
Diameter		1.00±0.02 in 25.5±0.5 mm	
Height		1.95±0.02 in 49.5±0.5 mm	
Weight		78g(2.751oz.)	
Internal impedance at 1000Hz.		10mΩ (After charge)	
Charge	Standard		300mA×15hrs.
	Quick		3000mA×1.5hrs.
	Trickle	Max.	150mA
		Min.	100mA
Ambient temperature	Charge	Standard	-10°C~50°C 14°F~122°F
		Quick	0°C~45°C 32°F~113°F
	Discharge		-20°C~65°C -4°F~149°F
	Storage		-20°C~45°C -4°F~113°F



Note:

1. Nominal capacity, rated at 0.2C,20°C.
2. Other capacities are for reference.
3. Weight and internal impedance are for reference.

