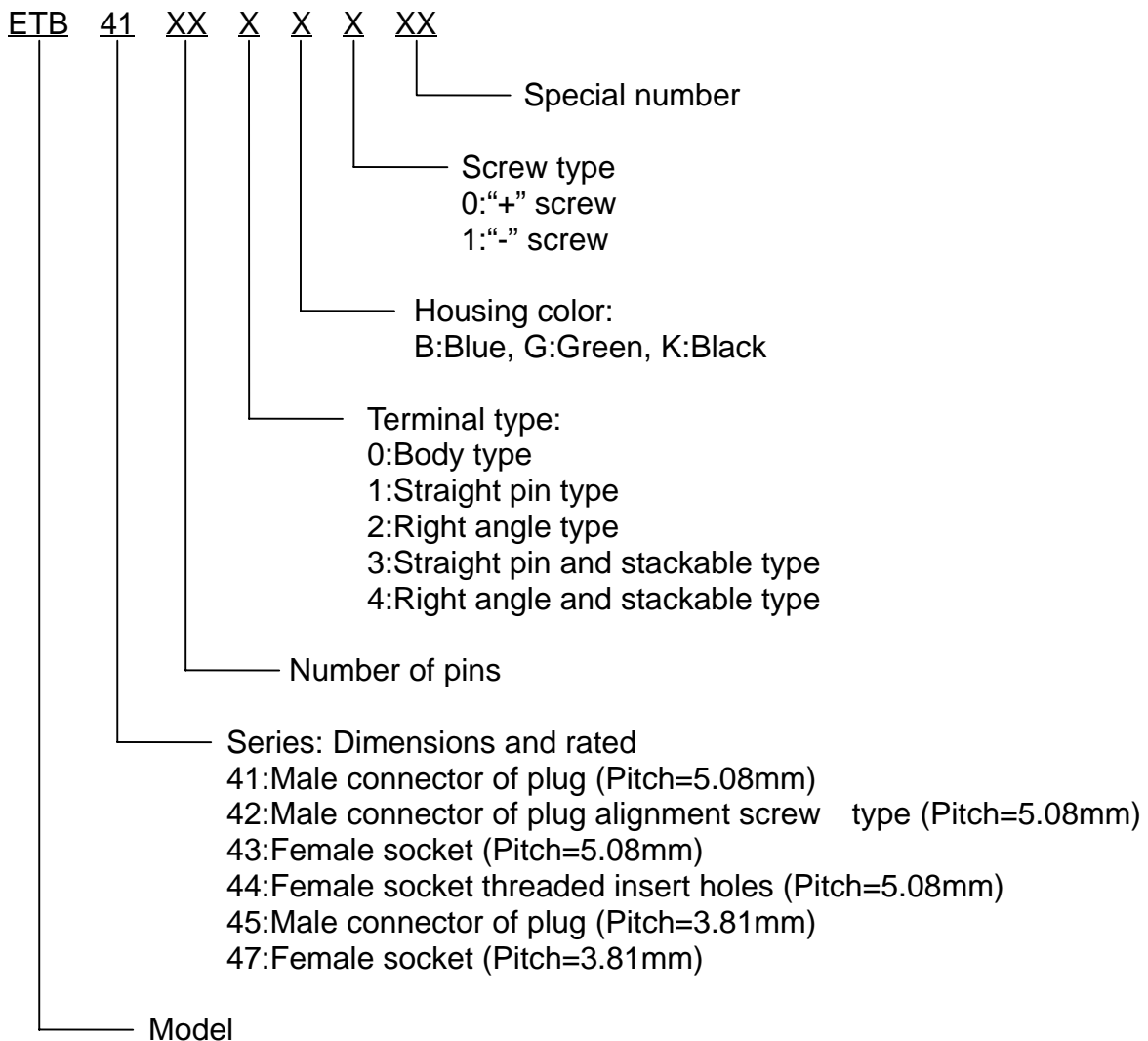


PLUG IN TYPE TERMINAL BLOCK ETB 41~47 SERIES

FEATURES

- Special wire protector design to ensure reliable wire clamping
- Be capable of clamping a wide range of wire diameters
- The male connector of plug is mounted and soldered to the P.C.B.
- The female socket using a twin leaf phosphor bronze contact mates with the male
- UL 94V-0 grade fire retardant engineering plastic used for the housing
- Good for insertion & withdrawal

PART NUMBERING SYSTEM



ETB41,43 SERIES

E133988(R)

SPECIFICATIONS

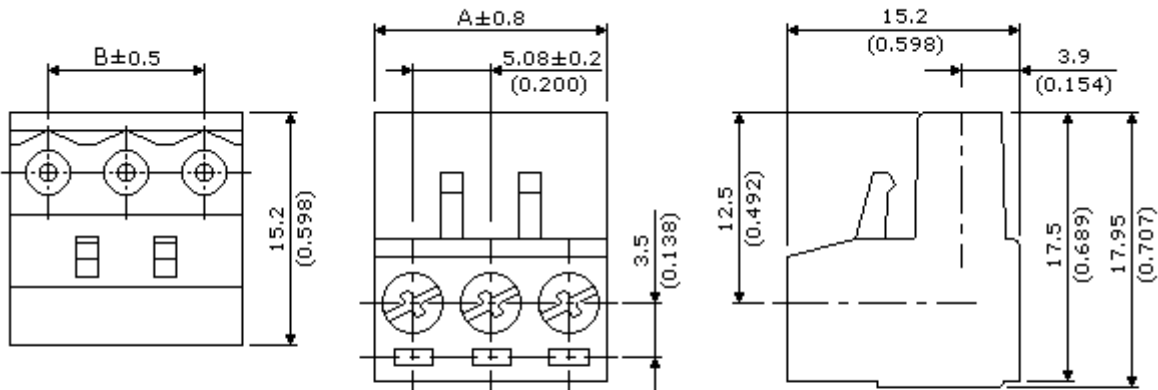
- Pitch 5.08mm(0.2inch)
- Wire range 12 AWG to 24 AWG
- Housing material Polyamide 66 (UL 94V-0) resin
- Terminals Tin plated over Brass
- Screws Zinc plated over Steel
- Wire cage Nickel Plated over Zinc Alloy
- Wire protector Nickel plated over Brass
- Dielectric strength 2000 VAC (Min.)
- Insulation resistance 500 M Ω , 500 VDC
- Rated 10 Amp, 300 VAC



DRAWING

DIMENSIONS UNIT:mm(inch)

ETB41**0 SERIES

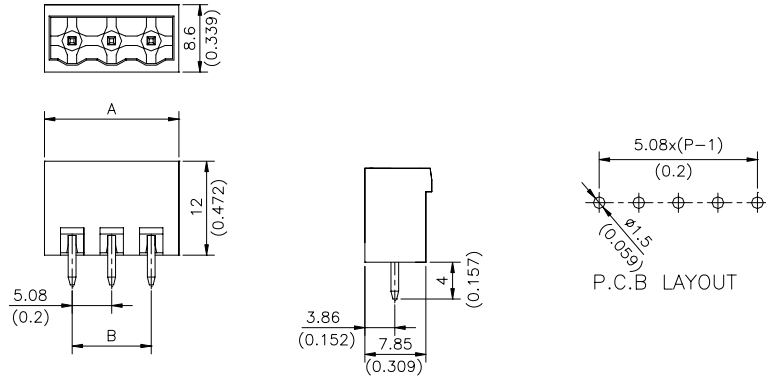


Pitch=5.08mm(0.2inch)

**NUMBER OF POLE 02~16.

POLE	2	3	4	5	6	7	8	9	10	11	12	13	14	15	16
$A \pm 0.8$	10.16 (0.400)	15.24 (0.600)	20.32 (0.800)	25.40 (1.000)	30.48 (1.200)	35.56 (1.400)	40.64 (1.600)	45.72 (1.800)	50.80 (2.000)	55.88 (2.200)	60.96 (2.400)	66.04 (2.600)	71.12 (2.800)	76.20 (3.000)	81.28 (3.200)
$B \pm 0.5$	5.08 (0.200)	10.16 (0.400)	15.24 (0.600)	20.32 (0.800)	25.40 (1.000)	30.48 (1.200)	35.56 (1.400)	40.64 (1.600)	45.72 (1.800)	50.80 (2.000)	55.88 (2.200)	60.96 (2.400)	66.04 (2.600)	71.12 (2.800)	76.20 (3.000)

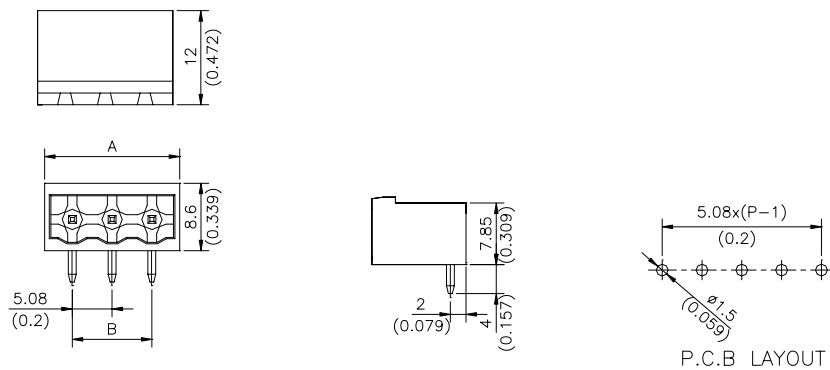
ETB43**1 SERIES DIMENSIONS UNIT:mm(inch)



DIMENSIONS: PITCH:5.08mm(0.2inch) UNIT:mm(inch)

POLE	2	3	4	5	6	7	8	9	10	11	12	13	14	15	16
A±0.8	12.18 (0.48)	17.26 (0.68)	22.34 (0.68)	27.42 (1.08)	32.5 (1.28)	37.58 (1.48)	42.66 (1.68)	47.74 (1.88)	52.82 (2.08)	57.9 (2.28)	62.98 (2.48)	68.06 (2.68)	73.14 (2.88)	78.22 (3.08)	83.3 (3.28)
B±0.5	5.08 (0.2)	10.16 (0.4)	15.24 (0.6)	20.32 (0.8)	25.4 (1.0)	30.48 (1.2)	35.56 (1.4)	40.64 (1.6)	45.72 (1.8)	50.8 (2.0)	55.88 (2.2)	60.96 (2.4)	66.04 (2.6)	71.12 (2.8)	76.2 (3.0)

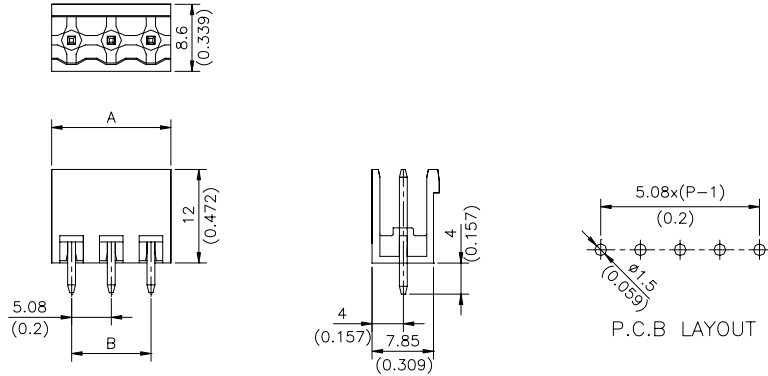
ETB43**2 SERIES DIMENSIONS UNIT:mm(inch)



DIMENSIONS: PITCH:5.08mm(0.2inch) UNIT:mm(inch)

POLE	2	3	4	5	6	7	8	9	10	11	12	13	14	15	16
A±0.8	12.18 (0.48)	17.26 (0.68)	22.34 (0.68)	27.42 (1.08)	32.5 (1.28)	37.58 (1.48)	42.66 (1.68)	47.74 (1.88)	52.82 (2.08)	57.9 (2.28)	62.98 (2.48)	68.06 (2.68)	73.14 (2.88)	78.22 (3.08)	83.3 (3.28)
B±0.5	5.08 (0.2)	10.16 (0.4)	15.24 (0.6)	20.32 (0.8)	25.4 (1.0)	30.48 (1.2)	35.56 (1.4)	40.64 (1.6)	45.72 (1.8)	50.8 (2.0)	55.88 (2.2)	60.96 (2.4)	66.04 (2.6)	71.12 (2.8)	76.2 (3.0)

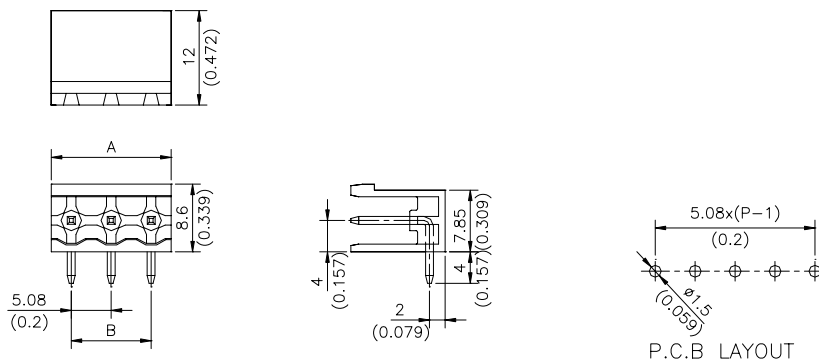
ETB43**3 SERIES DIMENSIONS UNIT:mm(inch)



DIMENSIONS: PITCH:5.08mm(0.2inch) UNIT:mm(inch)

POLE	2	3	4	5	6	7	8	9	10	11	12	13	14	15	16
A±0.8	10.16 (0.4)	15.24 (0.6)	20.32 (0.8)	25.4 (1.0)	30.48 (1.2)	35.56 (1.4)	40.64 (1.6)	45.72 (1.8)	50.8 (2.0)	55.88 (2.2)	60.96 (2.4)	66.04 (2.6)	71.12 (2.8)	76.2 (3.0)	81.28 (3.2)
B±0.5	5.08 (0.2)	10.16 (0.4)	15.24 (0.6)	20.32 (0.8)	25.4 (1.0)	30.48 (1.2)	35.56 (1.4)	40.64 (1.6)	45.72 (1.8)	50.8 (2.0)	55.88 (2.2)	60.96 (2.4)	66.04 (2.6)	71.12 (2.8)	76.2 (3.0)

ETB43**4 SERIES DIMENSIONS UNIT:mm(inch)



DIMENSIONS: PITCH:5.08mm(0.2inch) UNIT:mm(inch)

POLE	2	3	4	5	6	7	8	9	10	11	12	13	14	15	16
A±0.8	10.16 (0.4)	15.24 (0.6)	20.32 (0.8)	25.4 (1.0)	30.48 (1.2)	35.56 (1.4)	40.64 (1.6)	45.72 (1.8)	50.8 (2.0)	55.88 (2.2)	60.96 (2.4)	66.04 (2.6)	71.12 (2.8)	76.2 (3.0)	81.28 (3.2)
B±0.5	5.08 (0.2)	10.16 (0.4)	15.24 (0.6)	20.32 (0.8)	25.4 (1.0)	30.48 (1.2)	35.56 (1.4)	40.64 (1.6)	45.72 (1.8)	50.8 (2.0)	55.88 (2.2)	60.96 (2.4)	66.04 (2.6)	71.12 (2.8)	76.2 (3.0)

ETB42,44 SERIES

UL Pending 

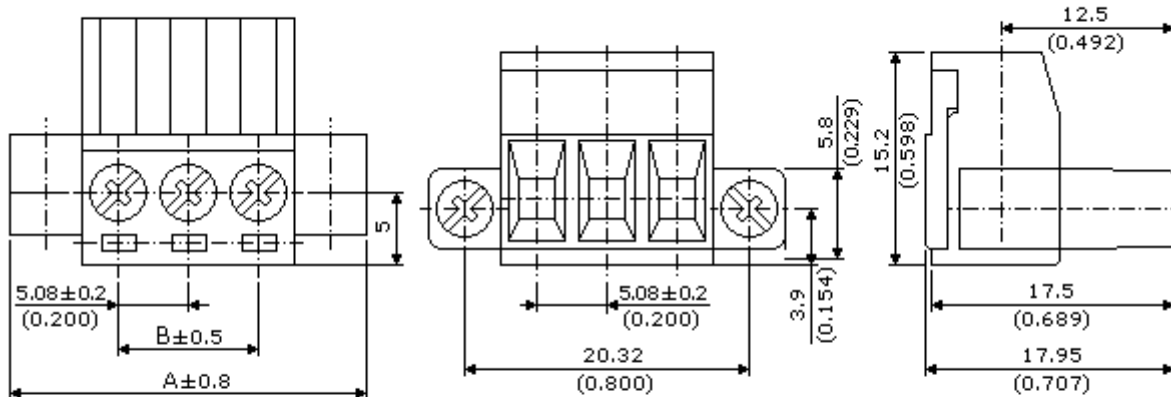
SPECIFICATIONS

- Pitch 5.08mm(0.2inch)
- Wire range 12 AWG to 24 AWG
- Housing material Polyamide 66 (UL 94V-0) resin
- Terminals Tin plated over Brass
- Screws Zinc plated over Steel
- Wire cage Nickel Plated over Zinc Alloy
- Wire protector Nickel plated over Brass
- Dielectric strength 2000 VAC (Min.)
- Insulation resistance 500 M Ω , 500 VDC
- Rated 10 Amp, 300 VAC



DRAWING

DIMENSIONS UNIT:mm(inch)
ETB42**0 SERIES

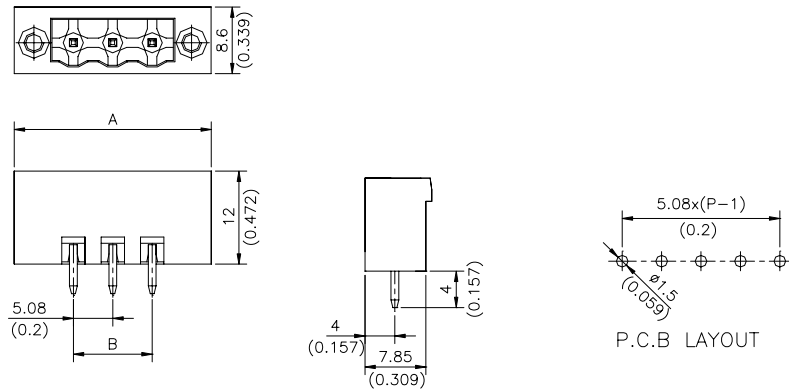


Pitch=5.08mm(0.2inch)

**NUMBER OF POLE 02~16.

POLE	2	3	4	5	6	7	8	9	10	11	12	13	14	15	16
$A \pm 0.8$	20.32 (0.800)	25.40 (1.000)	30.48 (1.200)	35.56 (1.400)	40.64 (1.600)	45.72 (1.800)	50.80 (2.000)	55.88 (2.200)	60.96 (2.400)	66.04 (2.600)	71.12 (2.800)	76.20 (3.000)	81.28 (3.200)	86.36 (3.400)	91.44 (3.600)
$B \pm 0.5$	5.08 (0.200)	10.16 (0.400)	15.24 (0.600)	20.32 (0.800)	25.40 (1.000)	30.48 (1.200)	35.56 (1.400)	40.64 (1.600)	45.72 (1.800)	50.80 (2.000)	55.88 (2.200)	60.96 (2.400)	66.04 (2.600)	71.12 (2.800)	76.20 (3.000)

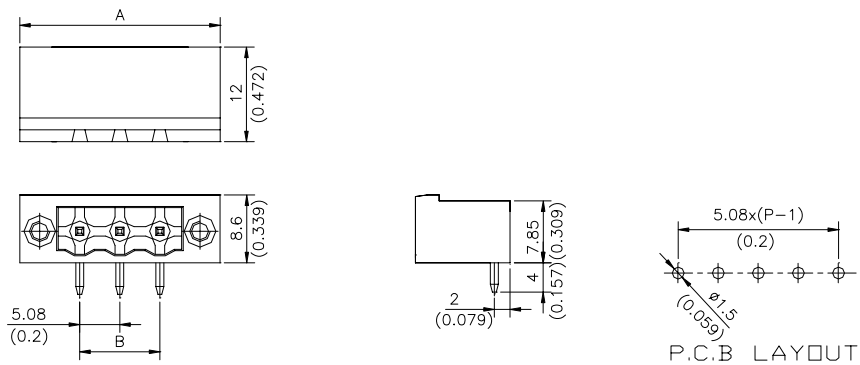
ETB44**1 SERIES DIMENSIONS UNIT:mm(inch)



DIMENSIONS: PITCH:5.08mm(0.2inch) UNIT:mm(inch)

POLE	2	3	4	5	6	7	8	9	10	11	12	13	14	15	16
A±0.8	20.32 (0.8)	25.4 (1.0)	30.48 (1.2)	35.56 (1.4)	40.64 (1.6)	45.72 (1.8)	50.8 (2.0)	55.88 (2.2)	60.96 (2.4)	66.04 (2.6)	71.12 (2.8)	76.2 (3.0)	81.28 (3.2)	86.36 (3.4)	91.44 (3.6)
B±0.5	5.08 (0.2)	10.16 (0.4)	15.24 (0.6)	20.32 (0.8)	25.4 (1.0)	30.48 (1.2)	35.56 (1.4)	40.64 (1.6)	45.72 (1.8)	50.8 (2.0)	55.88 (2.2)	60.96 (2.4)	66.04 (2.6)	71.12 (2.8)	76.2 (3.0)

ETB44**2 SERIES DIMENSIONS UNIT:mm(inch)



DIMENSIONS: PITCH:5.08mm(0.2inch) UNIT:mm(inch)

POLE	2	3	4	5	6	7	8	9	10	11	12	13	14	15	16
A±0.8	20.32 (0.8)	25.4 (1.0)	30.48 (1.2)	35.56 (1.4)	40.64 (1.6)	45.72 (1.8)	50.8 (2.0)	55.88 (2.2)	60.96 (2.4)	66.04 (2.6)	71.12 (2.8)	76.2 (3.0)	81.28 (3.2)	86.36 (3.4)	91.44 (3.6)
B±0.5	5.08 (0.2)	10.16 (0.4)	15.24 (0.6)	20.32 (0.8)	25.4 (1.0)	30.48 (1.2)	35.56 (1.4)	40.64 (1.6)	45.72 (1.8)	50.8 (2.0)	55.88 (2.2)	60.96 (2.4)	66.04 (2.6)	71.12 (2.8)	76.2 (3.0)

ETB45,47 SERIES

UL Pending

SPECIFICATIONS

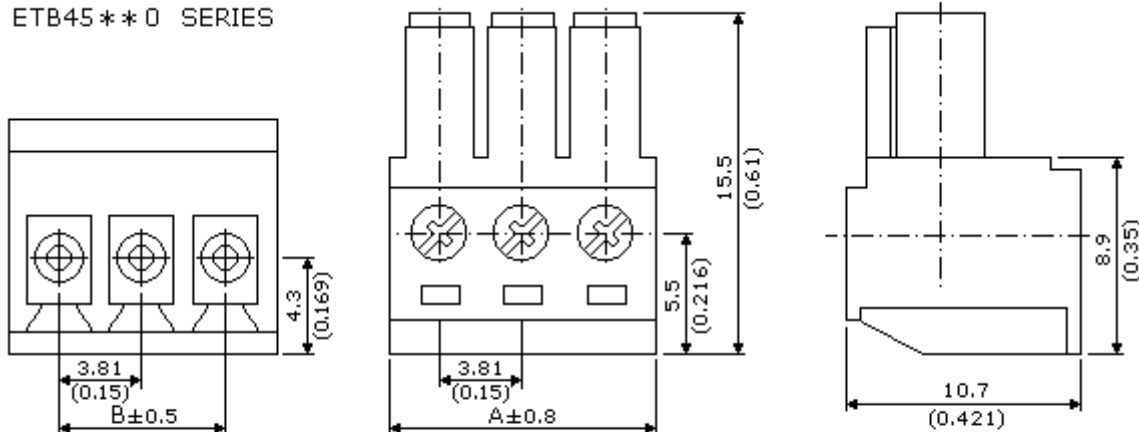
- Pitch 3.81mm(0.15inch)
- Wire range 16 AWG to 28 AWG
- Housing material Polyamide 66 (UL 94V-0) resin
- Terminals Tin plated over Brass
- Screws Zinc plated over Steel
- Wire cage Nickel Plated over Zinc Alloy
- Wire protector Nickel plated over Brass
- Dielectric strength 2000 VAC (Min.)
- Insulation resistance 500 MΩ, 500 VDC
- Rated 8 Amp, 300 VAC



DRAWING

DIMENSIONS UNIT:mm(inch)

ETB45**0 SERIES

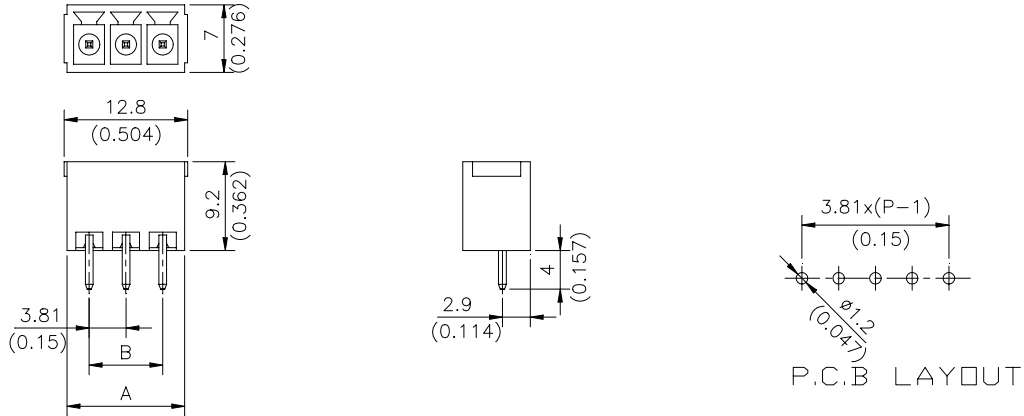


Pitch=3.81mm(0.15inch)

**NUMBER OF POLE 02~12.

POLE	2	3	4	5	6	7	8	9	10	11	12
A±0.8	8.38 (0.330)	12.20 (0.480)	16.00 (0.630)	19.81 (0.780)	23.62 (0.930)	27.43 (1.080)	31.24 (1.230)	35.05 (1.380)	38.86 (1.530)	42.67 (1.680)	46.48 (1.830)
B±0.5	3.81 (0.150)	7.62 (0.300)	11.43 (0.450)	15.24 (0.600)	19.05 (0.750)	22.86 (0.900)	26.67 (1.050)	30.48 (1.200)	34.29 (1.350)	38.10 (1.500)	41.91 (1.650)

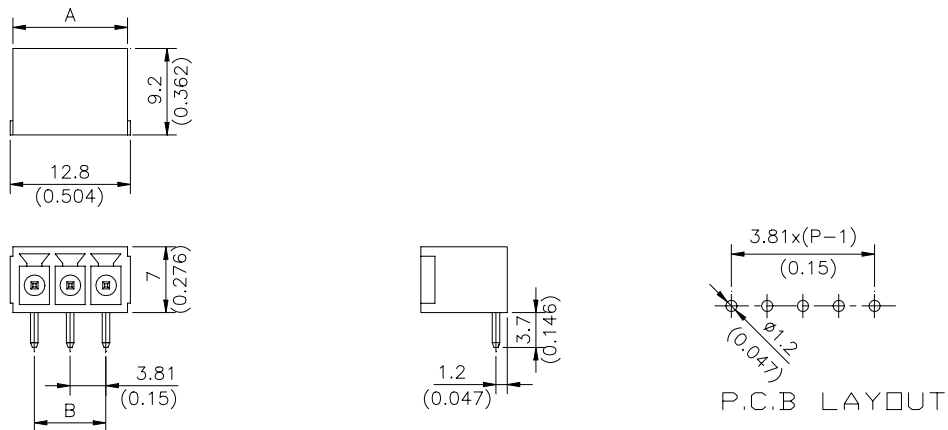
ETB47**1 SERIES DIMENSIONS UNIT:mm(inch)



DIMENSIONS: PITCH:3.81mm(0.15inch) UNIT:mm(inch)

POLE	2	3	4	5	6	7	8	9	10	11	12
A±0.8	8.38 (0.33)	12.20 (0.48)	16.00 (0.63)	19.81 (0.78)	23.62 (0.93)	27.43 (1.08)	31.24 (1.23)	35.05 (1.38)	38.86 (1.53)	42.67 (1.68)	46.48 (1.83)
B±0.5	3.81 (0.15)	7.62 (0.3)	11.43 (0.45)	15.24 (0.6)	19.05 (0.75)	22.86 (0.9)	26.67 (1.05)	30.48 (1.2)	34.29 (1.35)	38.1 (1.5)	41.91 (1.65)

ETB47**2 SERIES DIMENSIONS UNIT:mm(inch)



DIMENSIONS: PITCH:3.81mm(0.15inch) UNIT:mm(inch)

POLE	2	3	4	5	6	7	8	9	10	11	12
A±0.8	8.38 (0.33)	12.20 (0.48)	16.00 (0.63)	19.81 (0.78)	23.62 (0.93)	27.43 (1.08)	31.24 (1.23)	35.05 (1.38)	38.86 (1.53)	42.67 (1.68)	46.48 (1.83)
B±0.5	3.81 (0.15)	7.62 (0.3)	11.43 (0.45)	15.24 (0.6)	19.05 (0.75)	22.86 (0.9)	26.67 (1.05)	30.48 (1.2)	34.29 (1.35)	38.1 (1.5)	41.91 (1.65)