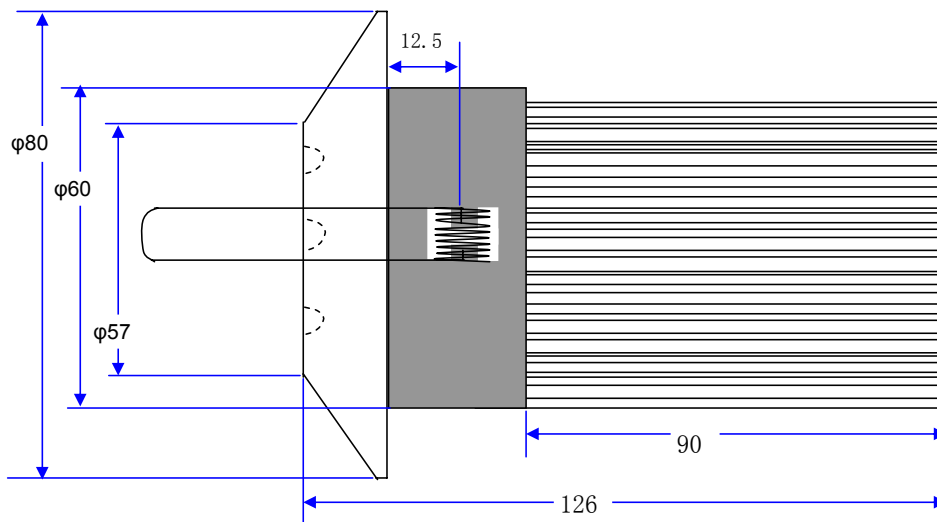


**Features:**

- Bulb type: 9W high power RGB LED spot light
- Model No.: SD124C3Q09T3
- Working voltage: 12V AC or DC / 250-750mA
- Comes with external SMPS adaptor or optional.
- Power consumption: 3-9W
- Viewing Angle: 30 degrees
- Light source: 3*3W High-power RGB LEDs.
- Body temperature: <math>< 60^{\circ}\text{C}</math>
- Aluminum alloy heat-sink.

Description:

- Four user selectable color changing patterns.
- Come with SMPS adapter.
- Easy to install.
- The Metal body is available in silver or black.
- Ideal for product display, landscape and architecture lighting.
- Widely used in advertisement and cabaret applications.

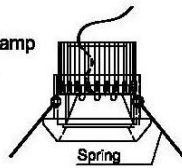
Product dimensions:**Notes:**

- 1, All dimension units are millimeters.
- 2, All dimension tolerance is $\pm 1\text{mm}$ unless otherwise noted.

LED Spot Lamp Fixture instruction

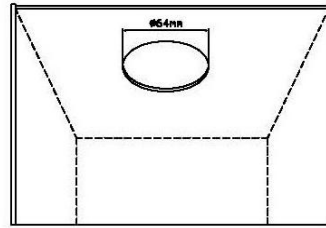
1

Take the spot lamp out of the box.



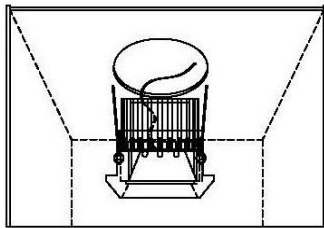
2

Drill a hole in the ceiling where you want to fix it.



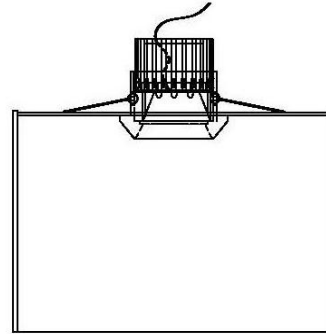
3

Press the spring and insert the spot light through the hole, then loose it.



4

After you finish all the steps, it appear like this. OK.



Package:

Packed with PE bag and inner box, 18pieces a carton(L330*W220*H290mm), the gross weight is 6kg.

