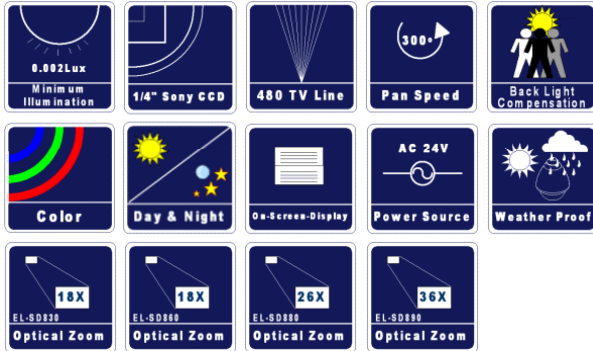


EL-SD800

Advanced High Speed Dome Camera

Build-in OSD, Sony Camera Module



- Quick install design - Cuts installation time in half
- 480 TV lines horizontal resolution
- 360 degrees continuous rotation with 300 degrees pan per second
- 1/4" Sony EXview HAD CCD sensor
- On-Screen compass, tilt, and zoom display
- Multi-language OSD supported
- RS-485 for system control
- 300 degree/sec pan and tilt speed
- Programmable locations of labels and on-screen-displays
- Patterns, one on-screen, user-defined programmable pattern, include pan, tilt, zoom
- 5 groups, up to 128 preset points with programmable name, and dwelling time.
- Build-in auto calibration for the system accuracy
- Proportional pan and tilt makes speed dome continuously decreases pan and tilt speeds in proportion to depth of zoom.
- Build-in video and control signal surge protection, up to 15KV thunder protection
- Build-in up to 9 groups of protocol to increase the system compatibility
- Auto flip rotates dome 180 degrees at bottom of tilt travel
- IP 66 weather proof standard for both indoor and outdoor application in hostile environment

Specifications

CAMERA FEATURES

GENERAL FEATURES

Environment	Indoor / outdoor
Controlling	RS-485
Operating Temperature	-20 ^o ~ 70 ^o
Power Source	24V AC
Power Consumption	14.04W
Dimensions	Ø210x272mm
Weight	1.5kg(w/o bracket)
Humidity	90% RH
Materials	Aluminum

CONTROL FEATURES

	EL-SD830	EL-SD860	EL-SD880	EL-SD890
Protocol	Pelco P, Pelco D, Panasonic, Sensormetic, ect.			
Preset	128	128	128	128
Preset Accuracy	0.05 ^o	0.05 ^o	0.05 ^o	0.05 ^o
Pattern	4	4	4	4
Sequence	4	4	4	4
Auto Pan	●	●	●	●
Zoom Title	●	●	●	●
Home Position	●	●	●	●
Auto Restoring	●	●	●	●
Auto Flip	●	●	●	●
IR Filter		●	●	●
Alarm Input (optional Alarm Box)	8	8	8	8
Alarm Output (optional Alarm Box)	1	1	1	1
Baud Rate	2400, 4800, 9600 bps			

ROTARY BODY FEATURES

Pan Travel	360 °continuous
Tilt Travel	-5 ° ~ 95 °
Manual Speed	0.2 ° ~260 °
Preset Speed	300 °/sec
Pan Speed	0.2 ° ~ 300 °/sec
Tilt Speed	1 ° ~ 90 °/sec

EL-SD830 (18X)

Image Sensor	¼"SONY EXVIEW HAD CCD
Effective Pixel	752X582 (PAL) 768X494(NTSC)
Lens	18X Zoom (4.1~73.8mm) F1.4 ~F3.0
Focus	Automatic with manual override
Iris	Automatic with manual override
Viewing Angle(H)	48.0° (wide end) to 2.8°(wide end)
Video Output	1.0Vp-p, 75Ohm
Gain Control	Auto / Manual (-3 to 28dB, 2dB step)
Minimum Illumination	0.7Lux(Typical) (F1.4, 50IRE)
Synchronization	Internal / External (V-Lock)
Digital Zoom	12x (216x)with optical zoom)
Horizontal Resolution	480TVL
SNR	> 50dB
White Balance	2000K to 10,000K

EL-SD860 (18X Day and Night)

Image Sensor	¼"SONY EXVIEW HAD CCD		
Effective Pixel	752X582 (PAL) 768X494(NTSC)		
Lens	18X Zoom (4.1~73.8mm) F1.4 ~F3.0		
Focus	Automatic with manual override		
Iris	Automatic with manual override		
Viewing Angle(H)	48.0° (wide end) to 2.8°(wide end)		
Video Output	1.0Vp-p, 75Ohm		
Gain Control	Auto / Manual (-3 to 28dB, 2dB step)		
Minimum Illumination	0.7Lux(Typical) (F1.4, 50IRE)		
Synchronization	Internal / External (V-Lock)		
Digital Zoom	12x (216x)with optical zoom)		
Horizontal Resolution	480TVL		
SNR	> 50dB		
White Balance	2000K to 10,000K		
Sensitivity (Typical)	30 IRE	50 IRE	
Day	SenseUp Off	0.04Lux	0.7Lux
Mode	SenseUp On	0.004Lux	0.0082Lux
Night	SenseUp Off	0.05Lux	0.17Lux
Mode	SenseUp On	0.0007Lux	0.0013Lux

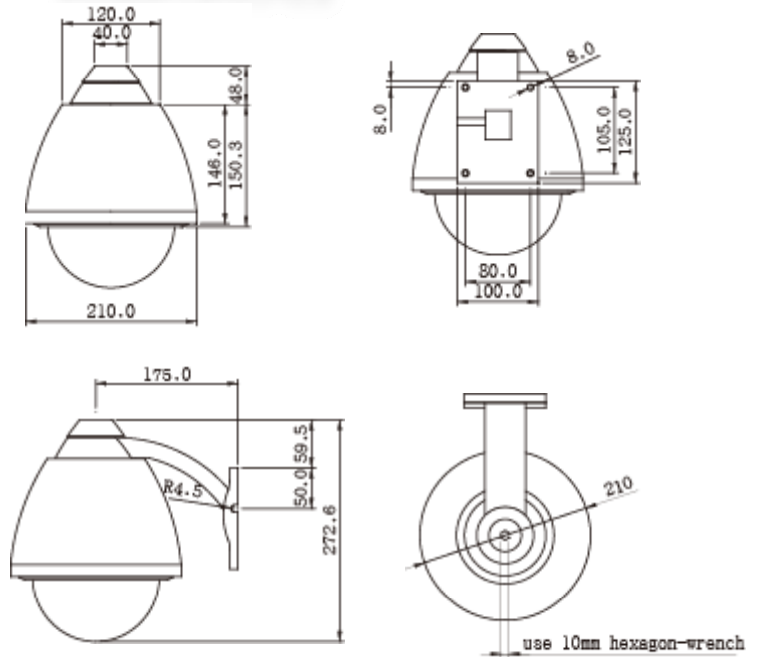
EL-SD880 (26X Day and Night)

Image Sensor	1/4"SONY EXVIEW HAD CCD		
Effective Pixel	752X582 (PAL) 768X494(NTSC)		
Lens	26X Zoom (3.5~91.0mm) F1.6 ~F3.8		
Focus	Automatic with manual override		
Iris	Automatic with manual override		
Viewing Angle(H)	54.2° (wide end) to 7.7° (wide end)		
Video Output	1.0Vp-p, 75Ohm		
Gain Control	Auto / Manual (-3 to 28dB, 2dB step)		
Minimum Illumination	2.0Lux(Typical) (F1.4, 50IRE)		
Synchronization	Internal / External (V-Lock)		
Digital Zoom	12x (312x)with optical zoom)		
Horizontal Resolution	480TVL		
SNR	> 50dB		
White Balance	2000K to 10,000K		
Sensitivity (Typical)	30 IRE	50 IRE	
Day	SenseUp Off	0.5Lux	1.0Lux
Mode	SenseUp On	0.0052Lux	0.013Lux
Night	SenseUp Off	0.10Lux	0.26Lux
Mode	SenseUp On	0.0013Lux	0.0026Lux

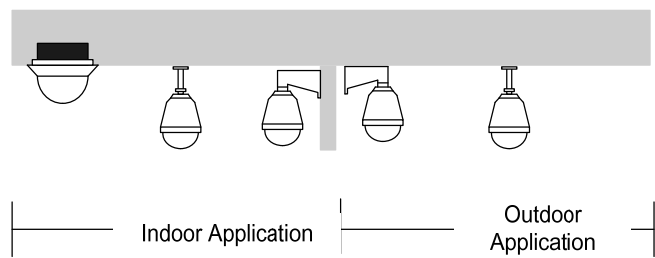
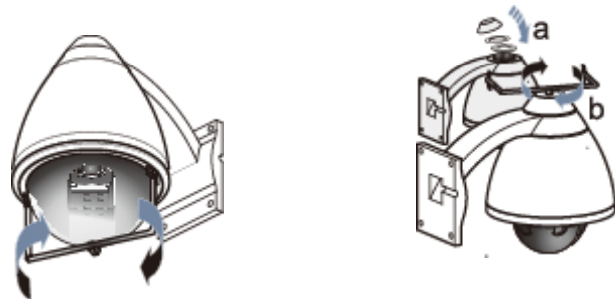
EL-SD890 (36X Day and Night)

Image Sensor	1/4"SONY EXVIEW HAD CCD		
Effective Pixel	752X582 (PAL) 768X494(NTSC)		
Lens	36X Zoom (3.4~122.4mm) F1.6 ~F4.5		
Focus	Automatic with manual override		
Iris	Automatic with manual override		
Viewing Angle(H)	57.8° (wide end) to 1.7° (wide end)		
Video Output	1.0Vp-p, 75Ohm		
Gain Control	Auto / Manual (-3 to 28dB, 2dB step)		
Minimum Illumination	1.4Lux(Typical) (F1.6, 50IRE)		
Synchronization	Internal / External (V-Lock)		
Digital Zoom	12x (432x)with optical zoom)		
Horizontal Resolution	480TVL		
SNR	> 50dB		
White Balance	2000K to 10,000K		
Sensitivity (Typical)	30 IRE	50 IRE	
Day	SenseUp Off	0.7Lux	1.4Lux
Mode	SenseUp On	0.07Lux	0.018Lux
Night	SenseUp Off	0.17Lux	0.1Lux
Mode	SenseUp On	0.0024Lux	0.0039Lux

DIMENSION



INSTALLATION



Gooseneck Pendant

• Material: Steel



Straight Tube Pendant

• Material: Steel,

EL-PT800 Control Key Board



- Multi-function control key board: PTZ dome camera, matrix
- Support 2400, 4800 and 9600 baud rate
- 20 x 4 back light functions LCD to support use friendly interface
- Joystick control speed dome direction and speed
- Password protection
- Preset point edit function
- RS-232 port to download update software

EL-PT802 Control Key Board



- 3D Axis Speed Dome Control Key Board
- Joystick control speed dome direction, speed and zoom function
- Support 2400, 4800 and 9600 baud rate
- 20 x 4 back light functions LCD to support use friendly interface
- Password protection
- Preset point edit function
- RS-232 port to download update software

EL-SD-102 Surge Protection Box



- Separate Surge Protection Box for Speed Dome Camera
- Build-in 800VA Surge Protection on Power Input
- Auto recovery after power surge
- Build-in 15KV Surge Protection on RS-485
- AC 24V Power Input

EL-SD-101 Speed Dome Alarm Box



- Separate Alarm Box for Speed Dome Camera
- Build-in 8 Alarm input, 1 Alarm Output
- Support Multi-Protocol and Different Baud Rate
- Build-in RS-485 Port for the Speed Dome Connection
- Correspond the Alarm Input with Up to 64 Preset Point
- Programmable Dwelling Time for Each Preset Point
- On Box Alarm Indicator
- DC 12V Power Input

Model Selection

EL – SD800 - X₂ X₃

3: 18X Zoom Module

6: 18x Day/Night Zoom Module

8: 26x Day/Night Zoom Module

9: 36x Day/Night Zoom Module

X: Indoor Application

2: Outdoor Application

N: NTSC

P: PAL