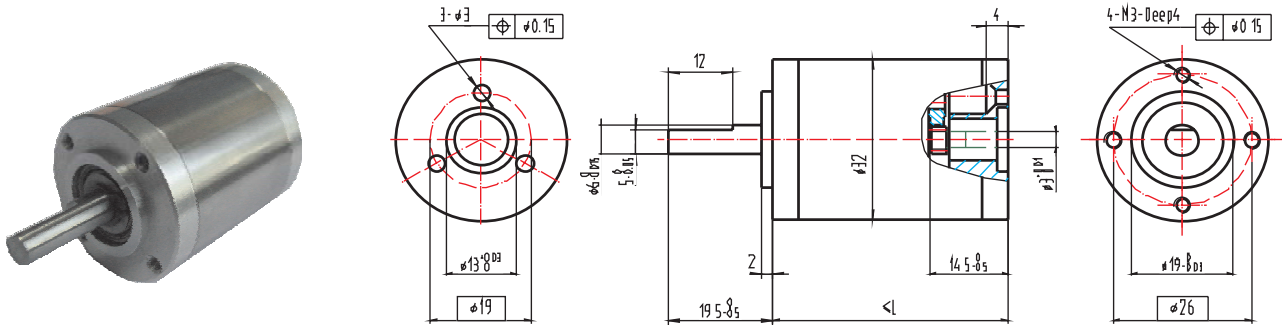


32MM



**性能规格 Specification**

段数 Stage NO.	L1	L2	L3	L4	L5	L6
减速比范围 Reduction Ratio	3.71,4.80,5.75,7.33	13,17,21,35,42,53	51,66,79,85,101,130,199,258,394	190,245,485,589,92	1827,3344,13038,21208	4266,7
长度 Length (mm)	32.8	38.9	45.2	51.5	57.8	
输出扭矩 output torque (N.m)	连续 Continuous: 1 瞬时 Intermittent: 1.3	2.5 3	4 8	4 10	4 10	
效率 Efficiency (%)	90	81	73	65	59	
空载回差 Noload Backlash	0.5°	0.8	1	1.2	1.5	
重量 Weight (g)	140	155	170	185	200	

**技术参数 Technic Parameter**

壳体材料 Housing material	不锈钢 Stainless steel
齿轮材料 Gear train material	钢 all steel
推荐最大输入转速 Recommended max. input speed for:	
- 连续运转 continuous operation	6 000 rpm
输入输出旋转方向 Direction of rotation(reversible)	=
输出端轴承 Bearings on output shaft	滚动轴承 ball bearing
输出轴负载 Shaft load, max.	
最大允许径向载荷 radial (6 mm from mounting face)	≤ 140 N
最大允许轴向载荷 axial Shaft press fit force, max.	≤ 100 N
最大允许安装力 Shaft press fit force, max.	≤ 140 N
输出轴间隙 Shaft play	
- 径向间隙 radial ( 5mm from flange )	≤ 0.05 mm
- 轴向间隙 axial	≤ 0.1 mm
推荐温度范围 Operating temperature range	-30 to +105 °C