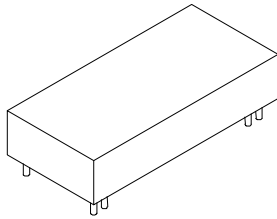
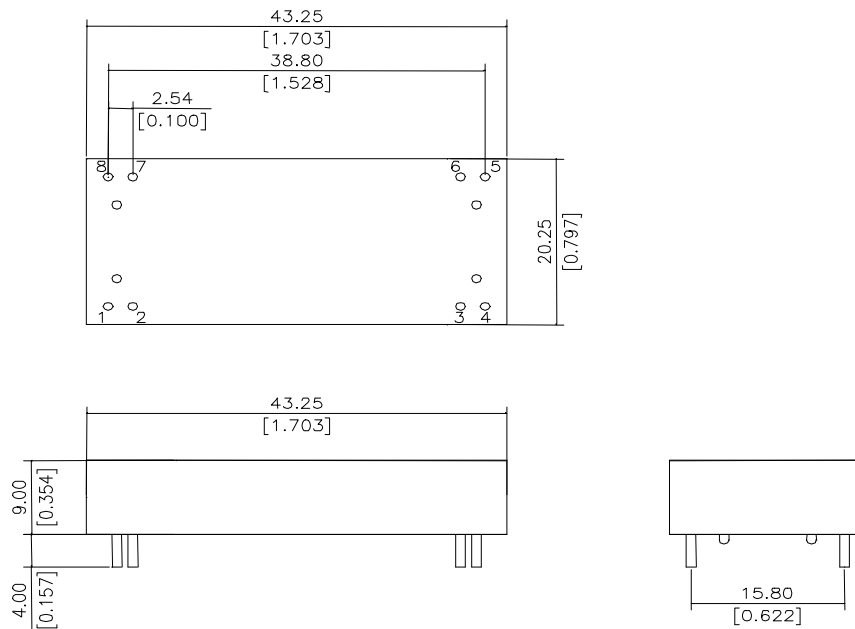


★ INTEGRATED CPE VDSL FILTER/HYBRID SOLUTION FOR INFINEON PEB22810/11/22 CHIPSET



Specifications							
Part Number	Description	Passband Frequency	Insertion Loss	Return Loss	Stopband Frequency	Attm.	Impedance
VM0001NT	VDSL Splitter/Hybrid	900kHz to 7.9 MHz	0.8dB max	10dB min	20kHz to 250kHz	50dB min	100Ω
	Receivr LPF	900kHz to 3.3 MHz	0.8dB max	12dB min	4.0MHz to 7.9MHz	50dB min	270Ω
	Transmit HPF	4.0MHz to 7.9 MHz	0.8dB max	10dB min	900kHz to 3.3MHz	15dB min	40 Ω

Dimension: mm/inch



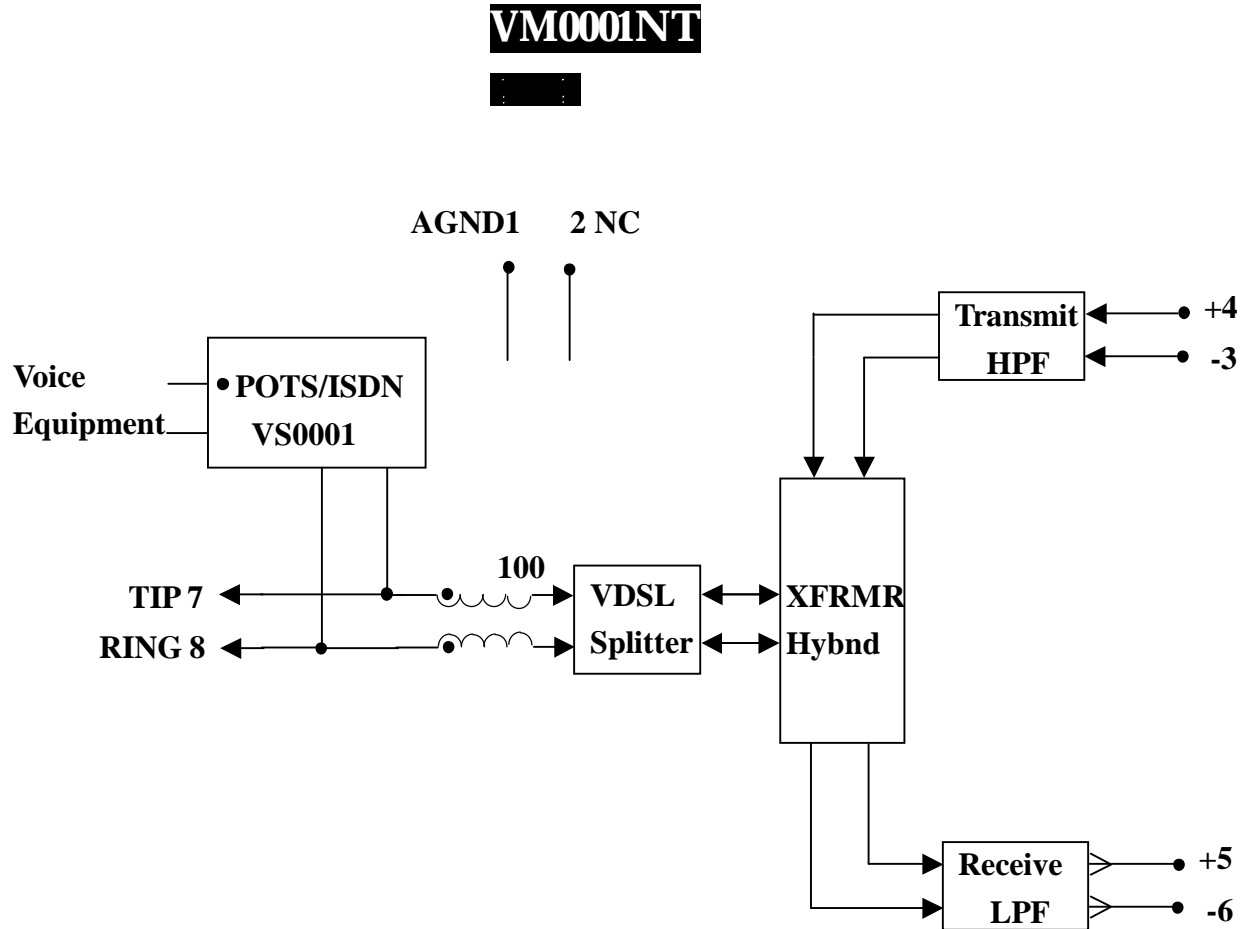
data sheet subject to change without notice

Head Office & Factory 248-32 號 5F
 Build-B, 5F, No. 248-32, Hsing-Shen Rd., Cheng-Jeng Dist.,
 Lin-Kung Proc. Zone, Kaohsiung, Taiwan, R.O.C.
 TEL:886-7-8153618 Fax:886-7-8150747 sales@magcom.com.tw

PRELIMINARY

VM0001NT(10/2001) Rev A

Schematic



Data sheet subject to change without notice

Head Office & Factory 248-32 號 5F
Build-B, 5F, No. 248-32, Hsing-Shen Rd., Cheng-Jeng Dist.,
Lin-Kung Proc. Zone, Kaohsiung, Taiwan, R.O.C.
TEL:886-7-8153618 Fax:886-7-8150747 sales@magcom.com.tw

PRELIMINARY

VM0001NT(10/2001) Rev A