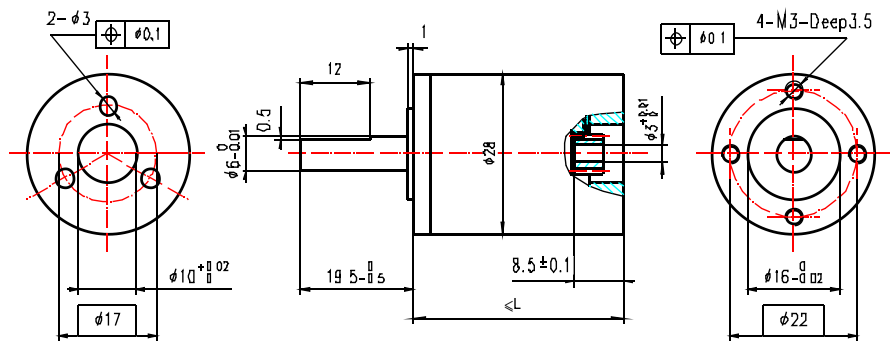


28MM



性能规格		L1	L2	L3	L4	L5	L6	
段数 Stage NO.								
减速比范围 Reduction Ratio		3.57,4.00,4.60,5.50	12,14,16,19,22,25,30	45,51,58,65,70,78,108,116,166	162,182,209,250,338,389,447,915	581,650,728,938,1209,1354,1390,1619,2059,3520,5032	2075,9474,27680	
长度 Length (mm)		23.2	27.7	32.2	36.7	41.2	45.7	
输出扭矩 output torque (N.m)	连续 Continuous	1	2	2	2	2	2	
	瞬时 Intermittent	1.3	3	3	3	3	3	
效率 Efficiency (%)		90	81	73	65	60	55	
空载回差 Noload Backlash		1°	1.5°	1.5°	1.5°	1.5°	1.5°	
重量 Weight (g)								
壳体材料 Housing material		不锈钢 Stainless steel						
齿轮材料 Gear train material		钢 all steel						
推荐最大输入转速 Recommended max. input speed for:								
- 连续运转 continuous operation							6 000 rpm	
输入输出旋转方向 Direction of rotation(reversible)							=	
输出端轴承 Bearings on output shaft							滚动轴承 ball bearing	
输出轴负载 Shaft load, max.								
最大允许径向载荷 radial (6 mm from mounting face)							≤ 100N	
最大允许轴向载荷 axial Shaft press fit force, max.							≤ 80N	
最大允许安装力 Shaft press fit force, max.							≤ 100N	
输出轴间隙 Shaft play								
- 径向间隙 radial (5 mm from flange )							≤ 0.05 mm	
- 轴向间隙 axial							≤ 0.1 mm	
推荐温度范围 Operating temperature range							-30 to +105 °C	

Topband gear box