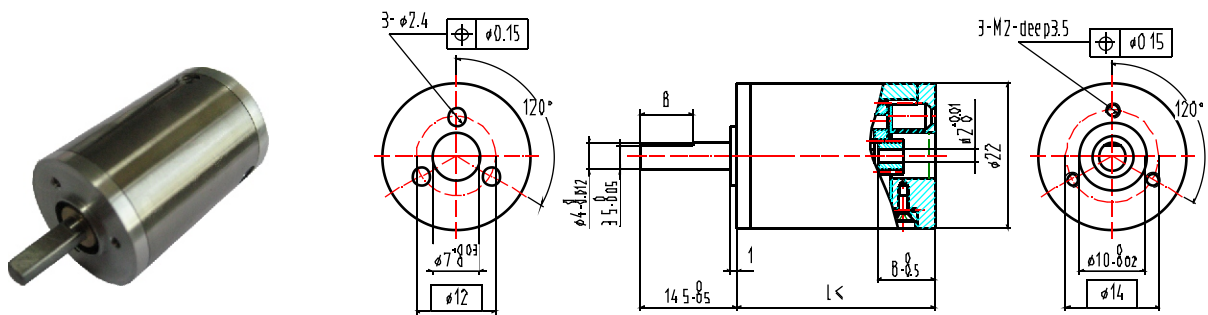


22MM



性能规格 Specification		L1	L2	L3	L4	L5	L6
段数 Stage NO.		L1	L2	L3	L4	L5	L6
减速比范围 Reduction Ratio		3.57,4.00, 4.60	12,14,16,18, 21	45,58,65,84, 97	162,204,262,302,3 38,389,447	581,650,728,938,1 209,1354,1390,15 99,1790,2059	2075,2672,2993,3 352,4434,4318,55 62,5711,6396,735 5,9474
长度 Length (mm)		18.8	22.6	26.4	30.2	34	37.8
输出扭矩 output torque (N.m)	连续 Continuous 瞬时 Intermittent	0.5 0.8	1 1.5	1.2 2	1.2 2	1.2 2	1.2 2
效率 Efficiency (%)		90	81	73	65	59	53
空载回差 Noload Backlash		0.8°	1.2°	1.5°	1.8°	1.8°	1.8°
重量 Weight (g)		22	26	70	34	38	42
技术参数 Technic Parameter							
壳体材料 Housing material		不锈钢 Stainless steel					
齿轮材料 Gear train material		钢/塑 steel/plastic					
推荐最大输入转速 Recommended max. input speed for:							
- 连续运转 continuous operation		5000 rpm					
输入输出旋转方向 Direction of rotation(reversible)		=					
输出端轴承 Bearings on output shaft		滚动轴承 ball bearing					
输出轴负载 Shaft load, max.							
最大允许径向载荷 radial (6 mm from mounting face)		≤ 70N					
最大允许轴向载荷 axial Shaft press fit force, max.		≤ 8N					
最大允许安装力 Shaft press fit force, max.		≤ 100N					
输出轴间隙 Shaft play							
- 径向间隙 radial (5mm from flange)		≤ 0.06 mm					
- 轴向间隙 axial		≤ 0.1 mm					
推荐温度范围 Operating temperature range		-30 to +105 °C					