

JIUZHOU TRUNK AMPLIFIER GFGP833-B / GFMP833-B

JIUZHOU TRUNK AMPLIFIER GFGP833-B / GFMP833-B is designed for bidirectional CATV systems. GFGP-B is AGC functioned, while GFMP-B is MGC functioned. Three different frequency platforms for option makes the amplifier versatile in various conditions. Philips module and fixed equalizer/attenuator ensure excellent performance.

FEATURES

- 33dB gain.
- Philips module.
- Fixed equalizer and attenuator.
- Other frequency platform available: 550MHz/750MHz.
- AGC or MGC functioned.
- 2 output ports.
- RF test point for input and output.
- Waterproof and anti-electromagnetic aluminium die-casting housing.



NOTE: BASIC MODEL OF THE AMPLIFIER DOES NOT INCLUDE FIXED EQUALIZER / ATTENUATOR / DIPLEX FILTER / REVERSE AMPLIFIER MODULE. THE FOLLOWING COMPONENTS/ACCESSORIES SHOULD BE PURCHASED SEPARATELY.

1) FIXED EQUALIZER (4~24dB, 2dB/DIV.)

JC550-B FOR 550MHz PLATFORM

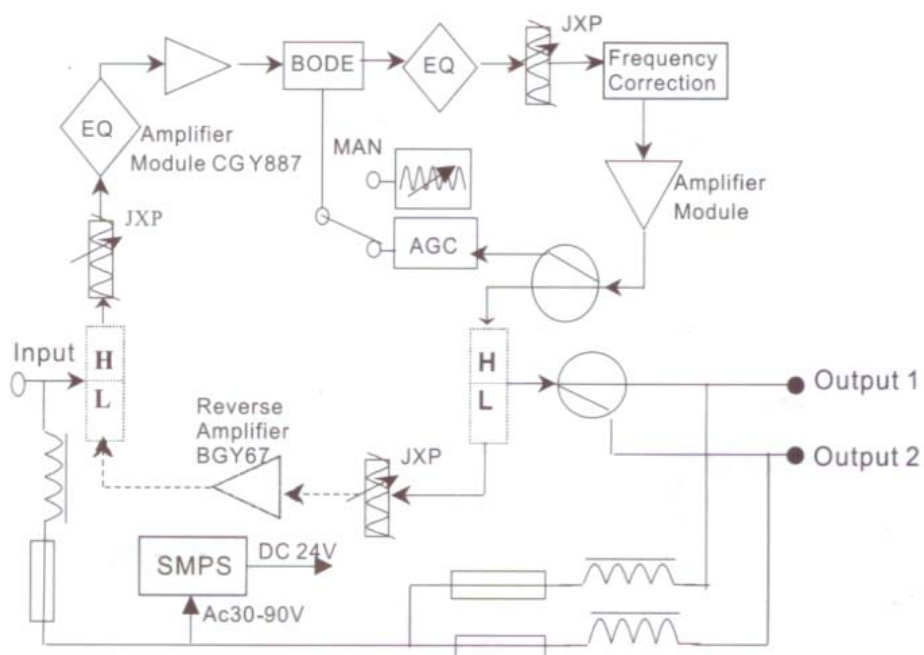
JC750-B FOR 750MHz PLATFORM

JC862-B FOR 862MHz PLATFORM

2) FIXED ATTENUATOR SJXX-1
3) DIPLEX FILTER

LS-A 65/87MHz

LS-B 30/47MHz

4) REVERSE AMPLIFIER MODULE FF22-1
BLOCK DIAGRAM


SPECIFICATION SHEET	UNIT	SPECIFICATIONS		REMARKS
		FORWARD	REVERSE	
Frequency Range	MHz	47~862	5~100	Diplex Filter Options 5~30, 5~42, 5~65
Typical Input Level	dBμV	72	80	
Typical Output Level	dBμV	105	98	
AGC Frequency	MHz	495.25 (Adjustable)	--	59-CH PAL-D, 104dBμV output. Applicable to GFGB-B amplifier only.
AGC Range	dBμV	±3/±0.3		
Typical Gain	dBμV	33	20	Foward equal output @ 29dB
Flatness	dB	±0.75	±0.75	
Nosie Figure	dB	6.5	6.5	Temperature @ 25°C
CTB	dB	≥68	--	Flat output @ 105dBμV
CSO	dB	≥66	--	
Max Reverse Output Level	dBμV	--	110	
Typical Return Loss	dB	15.2	14	
Reverse Second Intermediation	--	--	>52	
Power Supply	V	AC30~90V or AC 220V		
Power	W	<25 (without reverse path)		
Anti-Strike Voltage	kV	6kV / 200 Amps		A3 Ring wave