

UE60-SPA

Switching Power Adaptor

60 Watt



• Technical data

Input voltage	100-240V AC
Input current	1,300mA
Frequency	50-60Hz
Efficiency	70% typ. at full load
Output voltage tolerance	±5%

• Environmental specification

Operation temp.	0°C to 40°C at maximum load
Storage temp.	-20°C to 60°C
Humidity	5% to 95% non condensing

• Safety specification

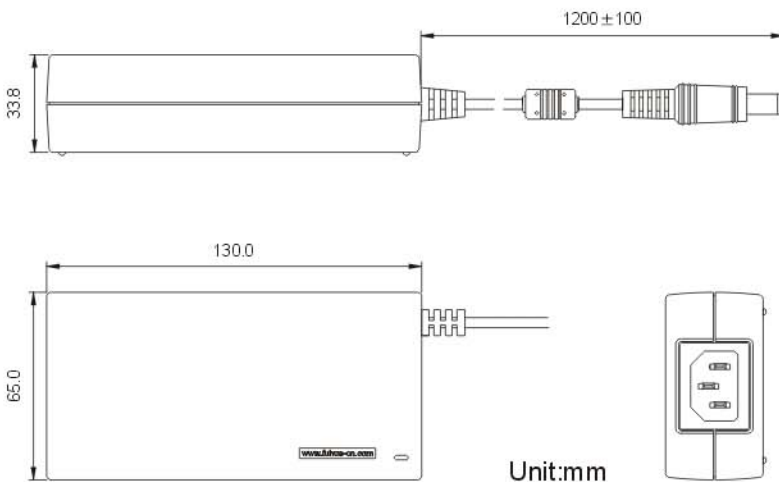
Safety approval	cCSAus (CSA60950 and UL60950) TUV-GS (EN60950) CE Mark CCC (GB4943) C-Tick (AS/NZS60950)
-----------------	--

• Reliability specification

MTBF calculation	50,000 hours at maximum load levels and an ambient temperature of 25°C (in correspondence with MIL-HDBK-217)
------------------	--

• Mechanical specification

Weight	360g
Dimensions	130.0mm x 65.0mm X 33.8mm (5.12" x 2.56" x 1.33")



Output data

Model	Voltage (V)	Current (A)	Ripple (mV)
UE60-050400SPA	5.0	4.00	50
UE60-050500SPA	5.0	5.00	50
UE60-060400SPA	6.0	4.00	100
UE60-060500SPA	6.0	5.00	100
UE60-065400SPA	6.5	4.00	100
UE60-065500SPA	6.5	5.00	100
UE60-075400SPA	7.5	4.00	100
UE60-075500SPA	7.5	5.00	100
UE60-090400SPA	9.0	4.00	100
UE60-090500SPA	9.0	5.00	100
UE60-105400SPA	10.5	4.00	100
UE60-105500SPA	10.5	5.00	100
UE60-120200SPA	12.0	2.00	150
UE60-120250SPA	12.0	2.50	150
UE60-120300SPA	12.0	3.00	150
UE60-120350SPA	12.0	3.50	150
UE60-120400SPA	12.0	4.00	150
UE60-120500SPA	12.0	5.00	150
UE60-130350SPA	13.0	3.50	150
UE60-130450SPA	13.0	4.50	150
UE60-138325SPA	13.8	3.25	150
UE60-138400SPA	13.8	4.00	150
UE60-138435SPA	13.8	4.35	150
UE60-150300SPA	15.0	3.00	150
UE60-150400SPA	15.0	4.00	150
UE60-160300SPA	16.0	3.00	200
UE60-160375SPA	16.0	3.75	200
UE60-180300SPA	18.0	3.00	200
UE60-180333SPA	18.0	3.33	200
UE60-190316SPA	19.0	3.16	200
UE60-200300SPA	20.0	3.00	200
UE60-240250SPA	24.0	2.50	200
UE60-300200SPA	30.0	2.00	200
UE60-330180SPA	33.0	1.80	200

