

UE30-SPA1/2

Switching Power Adaptor

30 Watt



• Technical data

Input voltage	100-240V AC
Input current	750mA
Frequency	50-60Hz
Efficiency	60% typ. at full load
Output voltage tolerance	±5%
Low standby power	0.5W Max.

• Environmental specification

Operation temp.	0°C to 40°C at maximum load
Storage temp.	-20°C to 60°C
Humidity	5% to 95% non condensing

• Safety specification

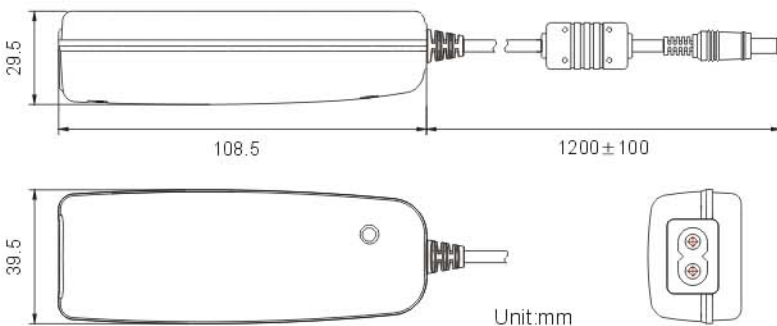
Safety approval	UE30-SPA1: CE Mark CCC (GB4943) UE30-SPA2: cULus (UL6500 and CSA60065) TUV-GS (EN60065) CE Mark PSE-JET C-Tick (AS/NZS60950) CCC (GB8898)
-----------------	--

• Reliability specification

MTBF calculation	50,000 hours at maximum load levels and an ambient temperature of 25°C (in correspondence with MIL-HDBK-217)
------------------	--

• Mechanical specification

Weight	155g
Dimensions	108.5mm x 39.5mm x 29.5mm (4.27" x 1.56" x 1.16")



Output data

Model	Voltage (V)	Current (A)	Ripple (mV)
UE30-040300SPA1/2	4.0	3.00	50
UE30-050250SPA1/2	5.0	2.50	50
UE30-050300SPA1/2	5.0	3.00	50
UE30-060300SPA1/2	6.0	3.00	100
UE30-065300SPA1/2	6.5	3.00	100
UE30-070300SPA1/2	7.0	3.00	100
UE30-075300SPA1/2	7.5	3.00	100
UE30-080300SPA1/2	8.0	3.00	100
UE30-090300SPA1/2	9.0	3.00	100
UE30-095250SPA1/2	9.5	2.50	100
UE30-100250SPA1/2	10.0	2.50	100
UE30-105250SPA1/2	10.5	2.50	100
UE30-120200SPA1/2	12.0	2.00	150
UE30-120250SPA1/2	12.0	2.50	150
UE30-130200SPA1/2	13.0	2.00	150
UE30-138200SPA1/2	13.8	2.00	150
UE30-150200SPA1/2	15.0	2.00	150
UE30-160180SPA1/2	16.0	1.80	200
UE30-180150SPA1/2	18.0	1.50	200
UE30-190150SPA1/2	19.0	1.50	200
UE30-200150SPA1/2	20.0	1.50	200
UE30-240120SPA1/2	24.0	1.20	200



UE Electronic

東莞市石龍富華電子有限公司

中國廣東省東莞市石龍鎮新城區黃洲祥龍路富華電子工業園

Fuhua Electronic Industrial Park, Xianglong Road, Huangzhou, New Town District,
Shilong Town, Dongguan, Guangdong Province, China. 523326
Tel: (86) 769 86022222 Fax: (86) 769 86023333
www.fuhua-cn.com E-mail: fuhua@fuhua-cn.com

Fuhua Electronic (HK) Co., Ltd.

香港九龍彌敦道27-33號良士大廈9樓H室

Flat H, 9/F., Alpha House, 27-33 Nathan Road,
Kowloon, Hong Kong.
Tel: (852) 27391666 Fax: (852) 27395999
www.fuhua.com.hk E-mail: fuhua@fuhua.com.hk