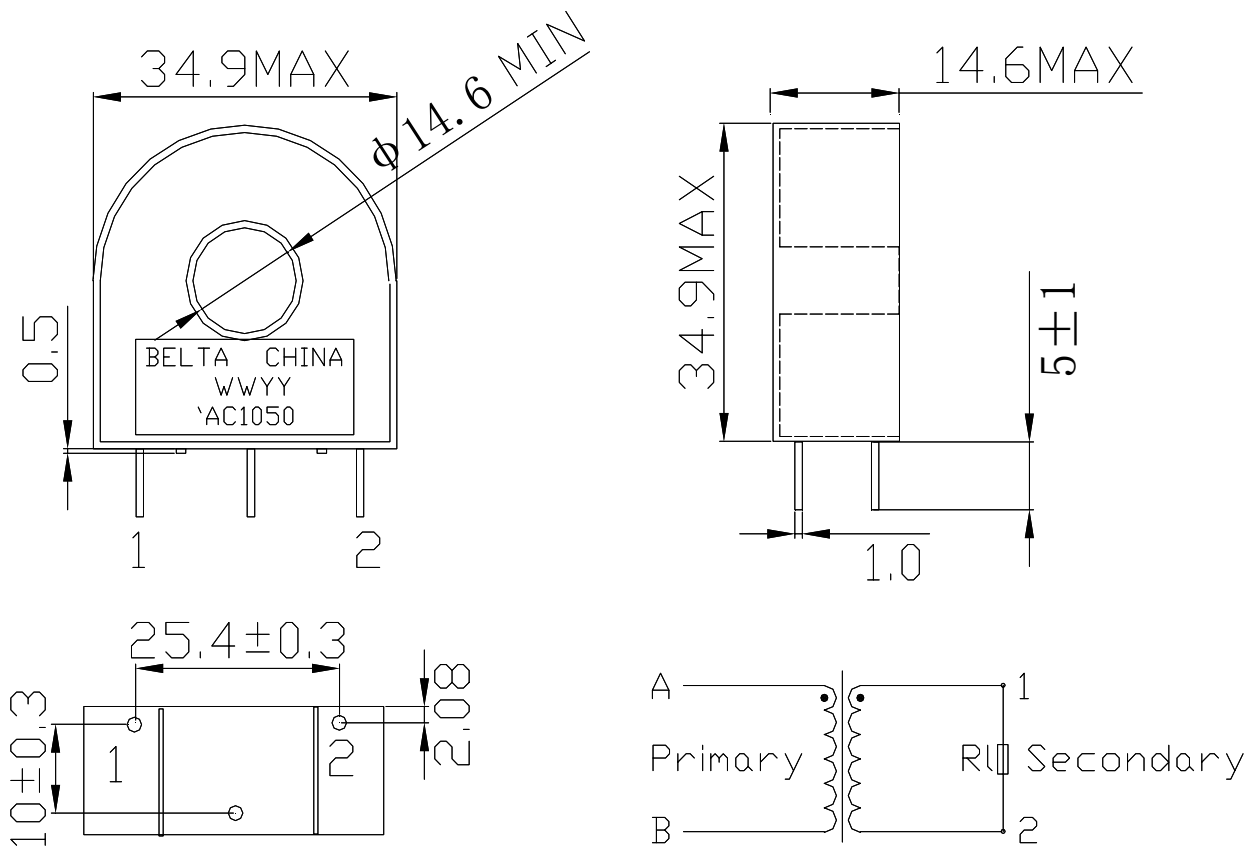



CUSTOMER		DESCRIPTION	CURRENT TRANSFORMER
----------	--	-------------	---------------------

OUTLINE DIMENSION (UNIT:mm) :



ELECTRICAL CHARACTERISTIC:

NO.	ITEM	MEASURED POINT	TECHNICAL DATA	REMARK
1	Normal Primary Current	A--B	50A	
2	Normal Secondary current	1--2	50mA	
3	Maximum Primary current		125A	
5	Output Voltage	1--2	5V±10%	Iin=50A RL=100Ω
6	Primary/secondary ratio		1: 1000	
7	Load Resistance		100Ω	
8	DC Resistance	1--2	35 Ω MAX	at 25°C
9	Nominal working frequency		50Hz~60Hz	
10	Storage Temperature		-55°C to 80°C	
11	HI-POT	P-S	4000VAC 50Hz 60s	

 SHENZHEN BELTA TECHNOLOGY CO., LTD	DRAWN BY	CHECKED BY	APPROVED BY	CUSTOMER P/N	AC1050
	luo jian			MODEL	AC1050
				DATE	2007-12-27
				REV.NO.	A01
				PAGE	1 / 2